



## 3M™ PELTOR™ WS™ ADAPTER G3, Ground Mechanic

### Product Description



The 3M PELTOR WS Adapter G3, Ground Mechanic, together with a PELTOR WS enabled headset, creates a wireless connection between the aircraft's pilot and the ground crew while performing pushback operations. The wireless link can provide a safe and reliable connection without the risk of a tethered cable, that could increase the risk of trips and falls or running over during critical movement of an aircraft. At the same time, the headset can provide both clear communication as well as hearing protection with auditory environmental listening capabilities. A wireless connection can also provide a safer situation for the ground crew during severe weather conditions where thunder and lightning can be at risk.

### Key Features

- Detachable and rechargeable Li-Ion battery pack.
- Clear, green-LED battery status indicators for best visibility in bright sunlight.
- Easy-to-use 2-button operation.
- Wideband audio supports better sound quality.
- Enhanced duplex performance.
- Low latency minimizes echo sounds.
- Connector strain relief with an enlarge and robust grip area.
- IP54 classified.
- Compliant with both WS ProTac XPI and WS LiteCom headsets.

### Standards and Approvals

Hereby, 3M Svenska AB declares that the product is in compliance with appropriate directives or regulations to fulfill the requirements for the CE marking.

# 3M Personal Safety Division

The full text of the EU declaration of conformity is available at the following internet address: [www.3M.com/PELTOR/DOC](http://www.3M.com/PELTOR/DOC). A copy of the declaration of conformity and additional information required in the Directives or Regulations can also be obtained by contacting 3M in the country of purchase.

## Models

Article Number	Description	3M ID
FL61007-WS7	3M PELTOR WS Adapter G3, Ground Mechanic	7100325526

## Accessories

Article Number	Description	3M ID
TKD5005/SP	Clip	7100245137
DE0352/SP	Safety hook	7100332577
DE0228/1	"REMOVE BEFORE FLIGHT" flag	7100331988
ACK081B/1	Rechargeable battery pack	7100330766
AL2AI/SP	USB Charging cable	7100088372
FR08	5V SELV USB Power supply	7000108521


## Technical Data Specifications


Weight	265g
--------	------


Materials	Value
Box	PP with glass fiber and TPE
Light Guide	PMMA
Gasket (2X)	Silicone
Screw (9X)	Black Nickel
Down lead cable	PUR
Connector	Nickel plated brass
Safety hook	POM, Nylon strap, stainless steel ring
Battery enclosure	ABS
Safety flag	PE


<b>Battery</b>	Rechargeable Li-Ion 3,7V 2150mAh, 8Wh
Operation time	Approx. 190h
Recharging time	Approx. 4h (full recharge)
Operation temperature	-20°C (-4°F) to 50°C (122°F)
Storage temperature	-20°C (-4°F) to 40°C (104°F)

### Battery Indications:

 ~190 - 170 h\*

 ~169 - 90 h\*

 ~89 - 20 h\*

 ~19 h > 0h\*

\*ACK081B

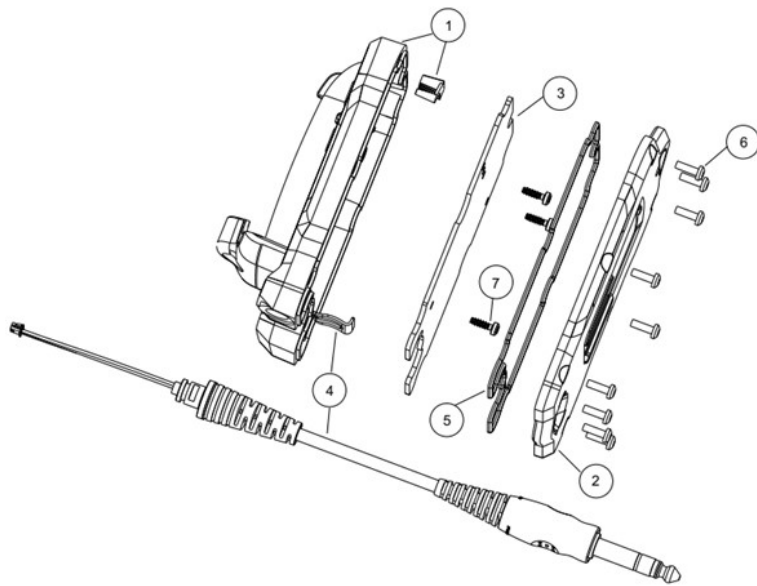
# 3M Personal Safety Division

**User Limitation:** Never modify or alter this product

## In the Box

- 1x 3M PELTOR WS Adapter G3
- 1x Safety Hook
- 1x Rechargeable battery pack
- 1x “REMOVE BEFORE FLIGHT” flag
- 1x User instructions

## Approved Service Parts



Pos	Article Number	Description	3M ID
1	TKD6102 GK/1	Box including light guide and battery sealing	7100332292
2	TKD6101 GK/1	Cover, 1 each	7100332251
3	K426A/1	PCB, 1 each	7100332147
4	DEAL3BKK-02/1	Connecting cable incl. locking. 1 each	7100332100
5	TKD6103/SP	Sealing for lid, bulks	7100332058
6	FE0332/100	Screw M2,5×8 100/PACK	7100332080
7	FE0087/100	Screw PTKA 25×8 100/PACK	7000108774

# 3M Personal Safety Division

## Warranty and Important Notice

### Warranty

The warranty does not cover any damage caused by neglected maintenance or careless handling. For more information on maintenance, please see the user instruction. For complete warranty condition, contact your dealer or local 3M office.

### Important Notice

3M does not accept liability of any kind, be it direct or consequential (including, but not limited to, loss of profits, business and/or goodwill) arising from reliance upon any information herein provided by 3M. The User is responsible for determining the suitability of the products for their intended use. 3M acknowledges the respective Trademark Owners' rights in this literature.



**Personal Safety Division**  
3M Svenska AB, Box 2341 SE-331 02  
Värnamo Sweden  
Internet [www.3M.com/PELTOR](http://www.3M.com/PELTOR)  
Phone: +46 (0)370-65 65 00  
Please recycle. Printed in Sweden.

© 3M 2024. All rights reserved.  
3M and PELTOR are trademarks of  
3M Company and its affiliates.  
DS24002 rev B

3M PSD products are occupational  
use only. In Europe, 3M PELTOR  
products may also be appropriate for  
certain non-work uses. Always read  
and follow User instructions.